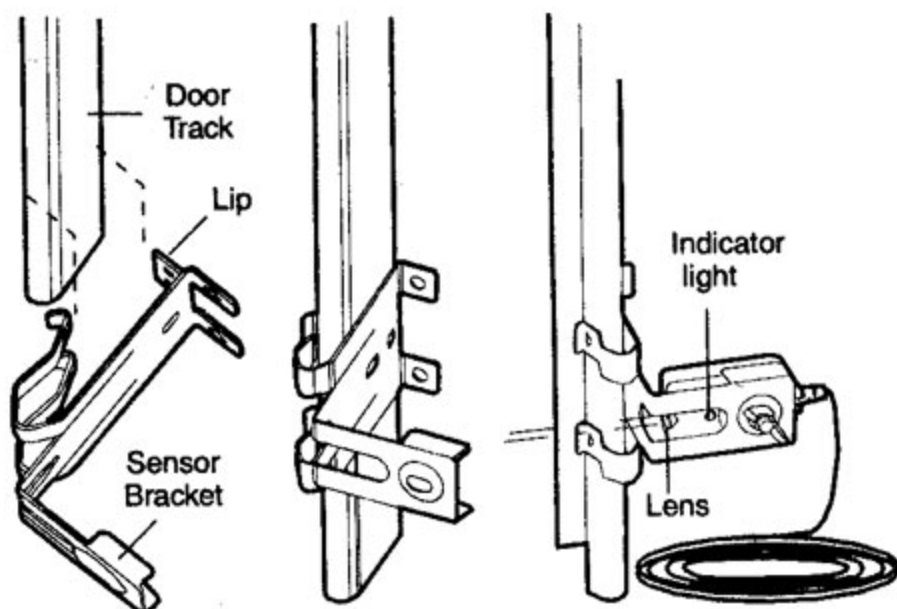


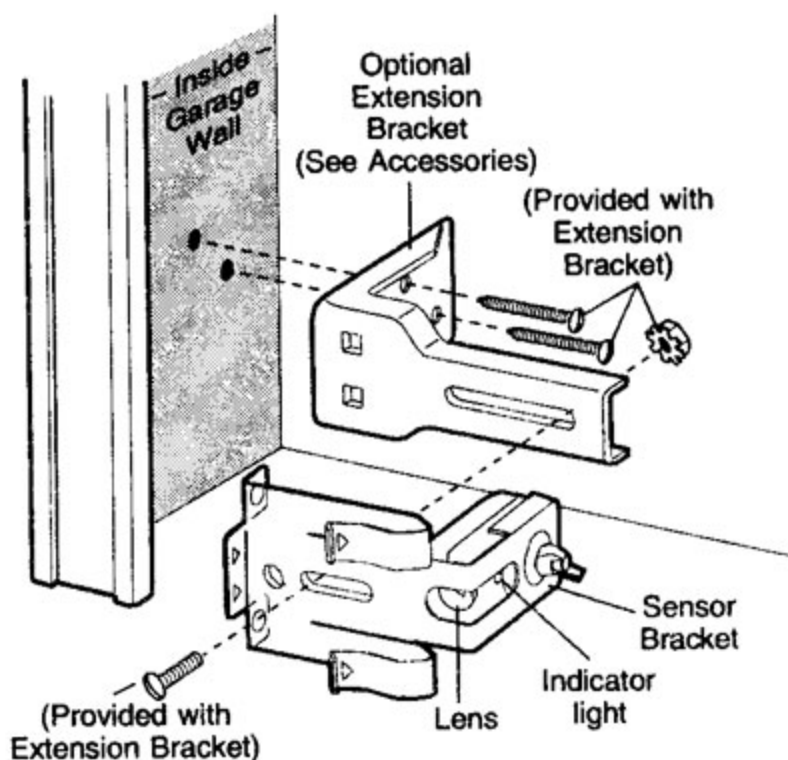
**Figure 2**

**DOOR TRACK MOUNT (Right Side)**



**Figure 3**

**WALL MOUNT (Right Side)**



**Figure 4**

**FLOOR MOUNT (Right Side)**

